

Presence detector

IR Quattro

COM2

EAN 4007841 000356

STEINEL[®]
PROFESSIONAL



infrared sensor



max. 4 x 4 m
presence

2000w

max. 2000 W



ideal 2,5 - 8 m



indoor sensor



iQ-mode



energy saving



manufacturer's
warranty
steinel-professional.de/garantie



CE



VDE-GS

Function description

Squaring the circle. Infrared presence detector Presence Control PRO IR Quattro COM2 for indoors, ideal for small offices, store, service and utility rooms, washrooms and WCs, installation height up to 8 m, for switching light as well as HVAC 'ON' and 'OFF', 1760 switching zones for excellent detection quality, square presence detection zone covering 16 m², mechanically scalable.

Technical specifications

Type	Presence detector
Dimensions (L x W x H)	120 x 120 x 71 mm
Mains power supply	230 V / 50 – 60 Hz
Sensor Technology	passive infrared
Application, place	Indoors
Application, place, room	One-person office, conference room, side room
Installation site	ceiling
Type of installation	Concealed wiring
Switching zones	1760 switching zones
Electronic scalability	No
Mechanical scalability	Yes
Mounting height	2,50 – 8,00 m
Optimum mounting height	2,8 m
Detection angle	360 °
Sneak-by guard	Yes
Capability of masking out individual segments	No
Reach, radial	5 x 5 m (25 m ²)
Reach, tangential	7 x 7 m (49 m ²)

Reach, presence	4 x 4 m (16 m ²)
Twilight setting TEACH	Yes
Twilight setting	10 – 1000 lx
Time setting	30 s – 30 Min.
Constant-lighting control	No
Basic light level function	No
Functions	Normal / test mode, Semi-/fully automatic, Pushbutton / switch mode, Manual ON / ON-OFF
With remote control	No
Interconnection	Yes
Type of interconnection	Master/slave, Master/master
IP rating	IP20
Material	Plastic
Ambient temperature	-25 – 55 °C
Colour	white
Colour, RAL	9010
Manufacturer's Warranty	5 years
Version	COM2
PU1, EAN	4007841000356

<https://www.steinell.de>

Presence detector

IR Quattro

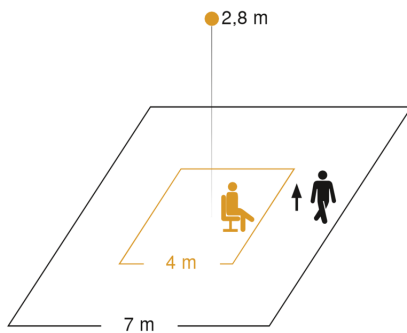
COM2

EAN 4007841 000356

Accessories

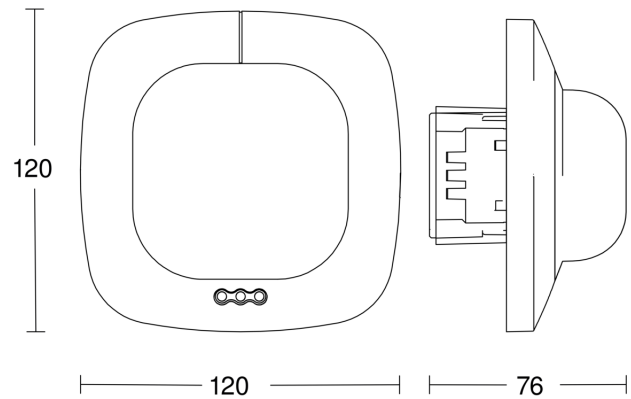
EAN 4007841 000363	Surface-mounting adapter Control PRO AP Box (IP54)
EAN 4007841 003036	Control PRO guard cage
EAN 4007841 009151	Remote control Smart Remote
EAN 4007841 559410	Service remote control RC8

Detection Zone

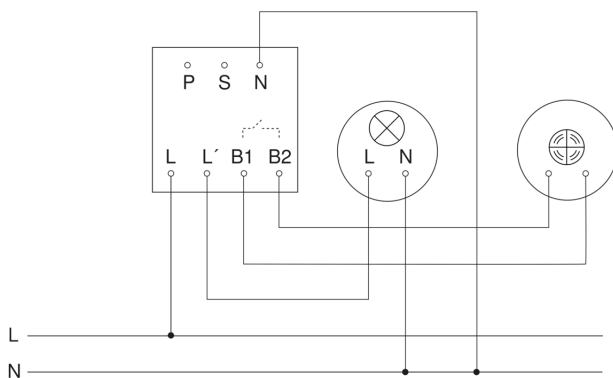


Mögliche Montagehöhe: 2,50 m – 8,00 m
Orange: Präsenz
Schwarz: tangential

Dimension Drawing



Master circuit diagram



Master/slave interconnection circuit diagram

